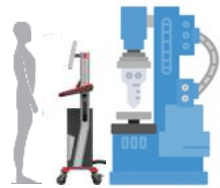


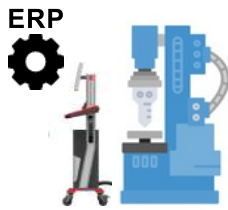
TOTEM I4.0



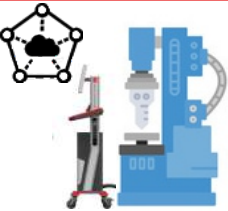
MONITORING STATION
OF THE PROCESS



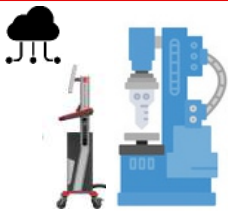
MACHINE SET UP



INTEGRATION WITH MES/ERP



EDGE COMPUTING



CLOUD COMPUTING



VOICE ASSISTANT

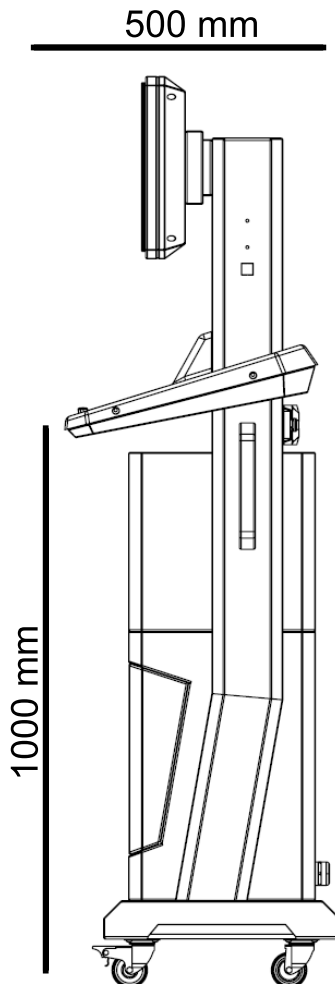
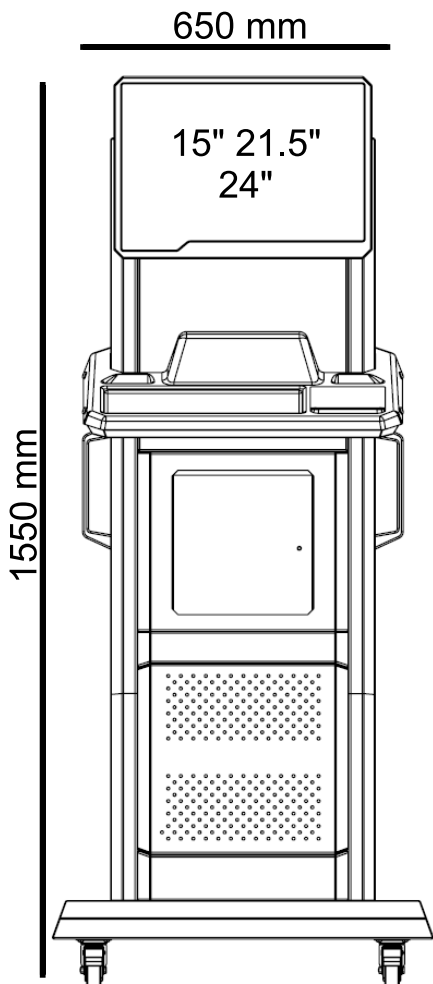


TOTEM I4.0 the intelligent station of Cannon Automata adaptable and integrable to new and existing solutions.

Thanks to the numerous possibilities offered by the different configurations, it represents the access key for companies that want to embark on a digital transformation path.

- Compact and ergonomic design
- Flexible
- Customizable
- Easy to move and install
- Suitable for different industrial sectors

MAIN FEATURES



 **Cannon Automata**

Automata S.p.A.
Via G. Carducci, 705
I-21042 Caronno Pertusella (VA)
Tel.+39 029639970
Fax+39 0296399731
sales.automata.it@cannon.com

Automata GmbH & Co. KG
Gewerbering 5
D-86510 Ried
Tel.+49(0)8233/7916-0
Fax+49(0)8233/7916-99
sales.automata.de@cannon.com

www.cannon-automata.com

TOTEM_EN_2020 Technical Modification Reserved